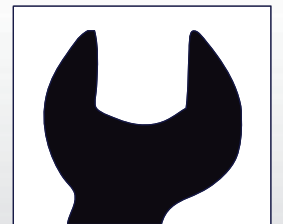


GL300

Spare parts
Ersatzteile
Piezas de repuesto
Reservdelistsa

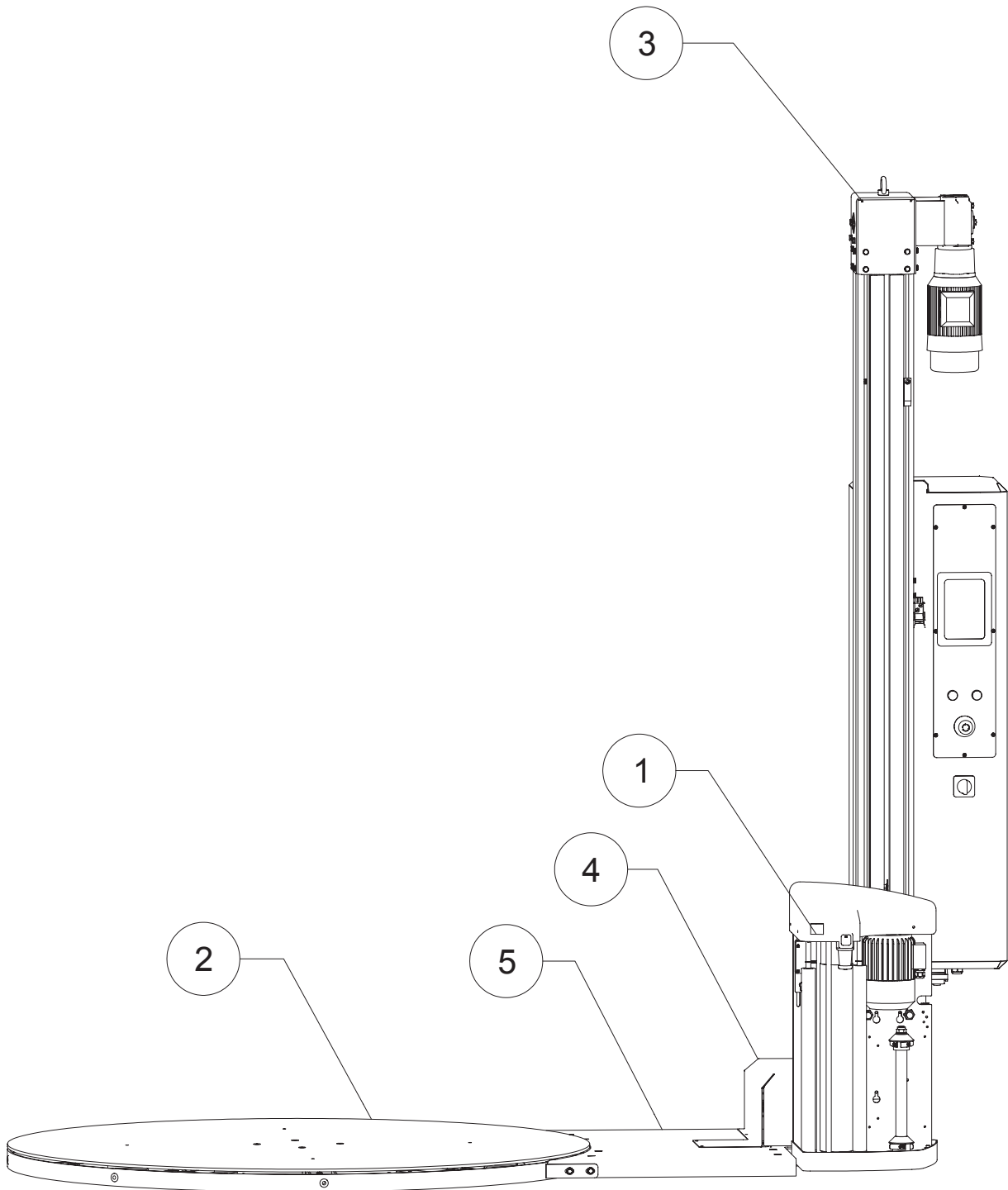


GL300 Ver: 070701

INDEX

DESCRIPTION	PAGE
INDEX	3
MAIN PARTS	4-5
MAST UNIT	6-7
MAST ASSEMBLY	8-9
MAST TRANSMISSION ASSEMBLY	10-11
AGGREGATE ASSEMBLY	12-13
CLUTCH ROLLER ASSEMBLY	14-15
DANCING ROLLER	16-17
MAST UNIT	18-19
PHOTOCELL COMPLETE	20-21
CHASSIS REAR ASSY.	22-23
TRANSMISSION FOR TABLE	24-25

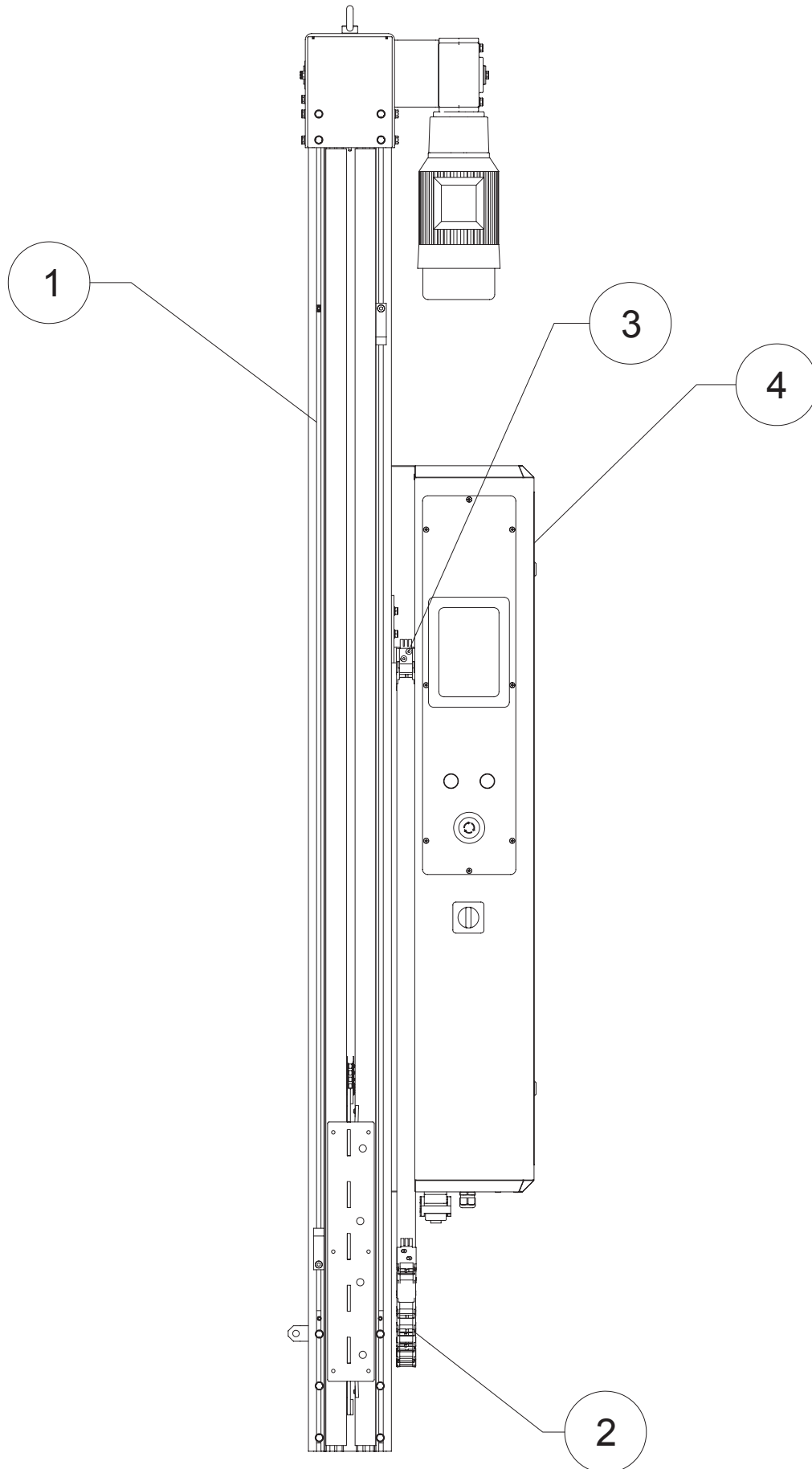
MAIN PARTS



MAIN PARTS

POS	PART NO	REV	DESCRIPTION	QTY	NOTICE
1	260005		AGGREGATE ASSEMBLY	1	
2	260001		BOTTOM UNIT ASSEMBLY	1	
3	260011		MAST UNIT ASSEMBLY	1	
4	360030		HOOD FOR TRANSMISSION	1	
5	260014		CHASSIS REAR ASSEMBLY	1	

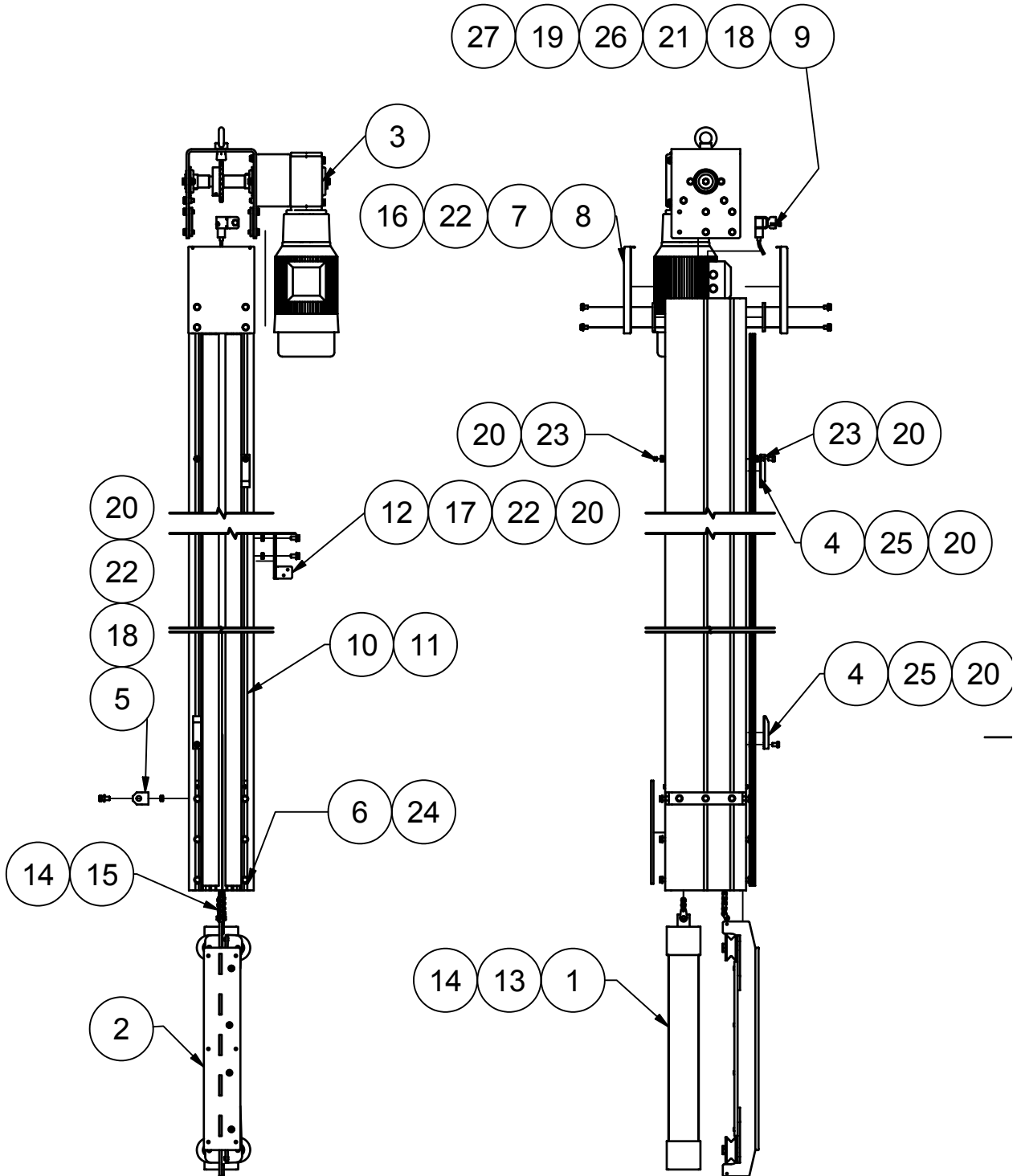
260011 - MAST UNIT



260011 - MAST UNIT

POS	PART NO	REV	DESCRIPTION	QTY	NOTICE
1	260003		MAST ASSEMBLY	1	
2	400679		CABLECHAIN	1	
3	460164		SCREW MF6S 6x16	4	
4	755050		ELECTRICAL CABINET	1	

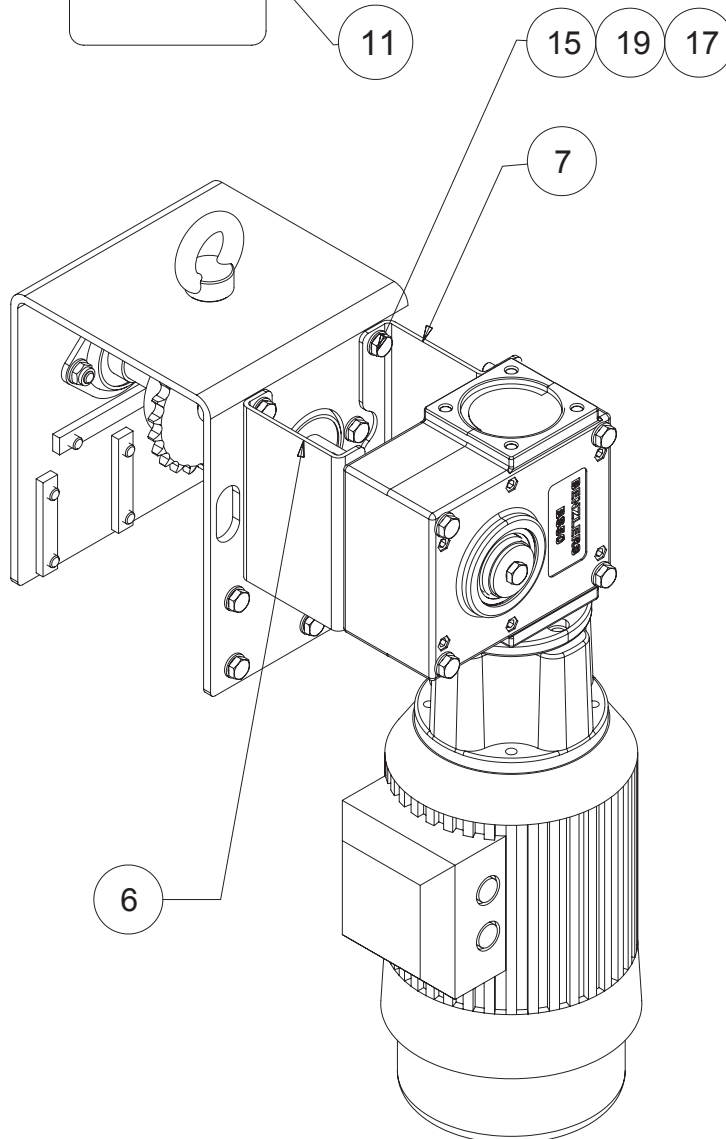
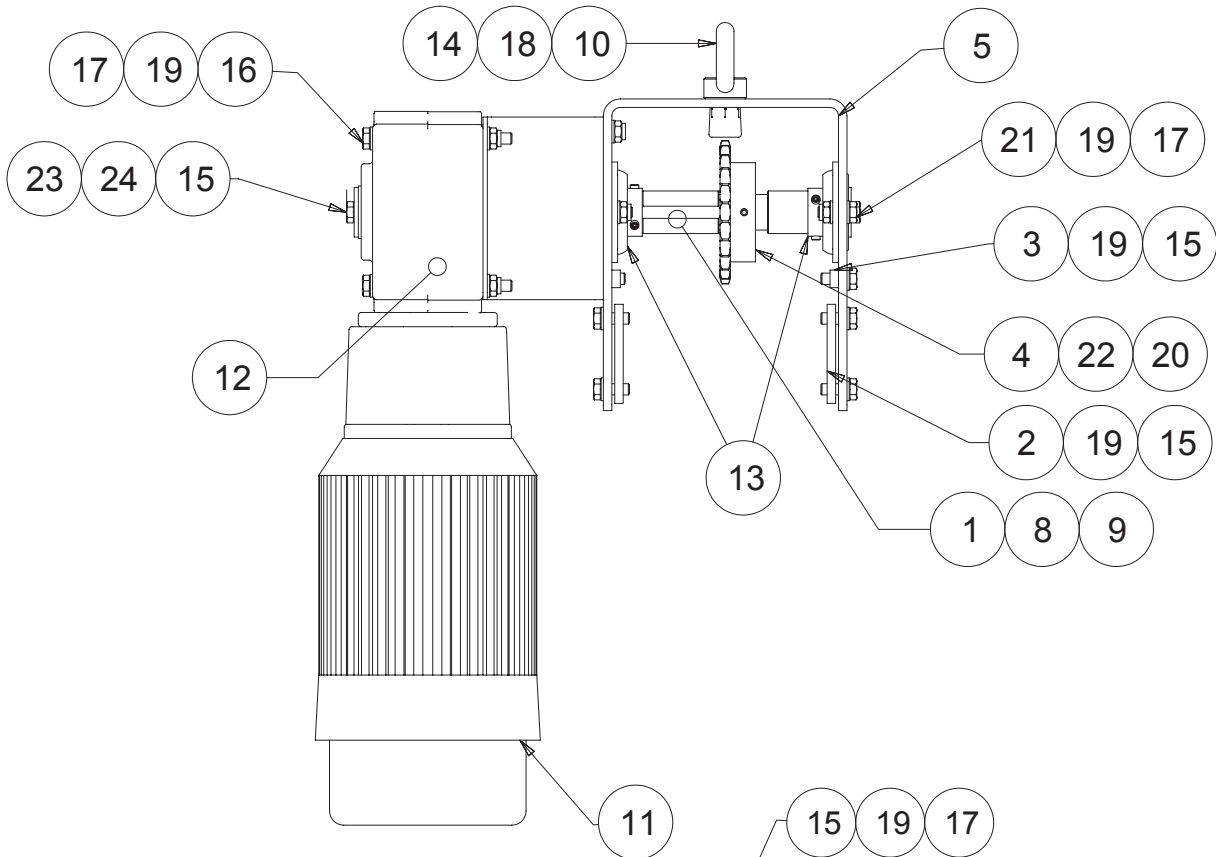
260003 - MAST ASSEMBLY



260003 - MAST ASSEMBLY

POS	PART NO	REV	DESCRIPTION	QTY	NOTICE
1	210008		COUNTER-WEIGHT COMPLETE	1	
2	220130		CARRIAGE COMPLETE	1	
3	260004		MAST TRANSMISSION ASSEMBLY	1	
4	310033		LIMIT POSITION UNIT	2	
5	310051		MAST SUPPORT	1	
6	310053		BARNUT	4	
7	320972		BARNUT cc50	4	
8	360011		COVER PLATE FOR MAST TOP	2	
9	360014		SENSOR HOLDER FOR MAST TOP	1	
10	360032		MAST 2600 mm	1	
11	360033		COVER PLATE	2	
12	360034		HOLDER FOR CABLE CHAIN	1	
13	400321		END LINK RS08B	1	
14	400350		LOCKING LINK RS08B	2	
15	400683		ROLLER CHAIN RS 08B 181 LINK	1	
16	460015		SCREW M6S M8x12	8	
17	460017		SCREW M8x16	14	
18	460018		M6S M8x20	4	
19	460081		SCREW MC6S 5x16	1	
20	460181		NUT M6M 8	15	
21	460191		LOCKINGNUT M8	1	
22	460201		WASHER BRB 8.4	25	
23	460258		STOP SCREW M8x8	3	
24	460270		MSK6SS M8x10	4	
25	460622		MC6LS M8x12	2	
26	900676		SENSOR	1	
27	900677		CABLE M12 5m	1	

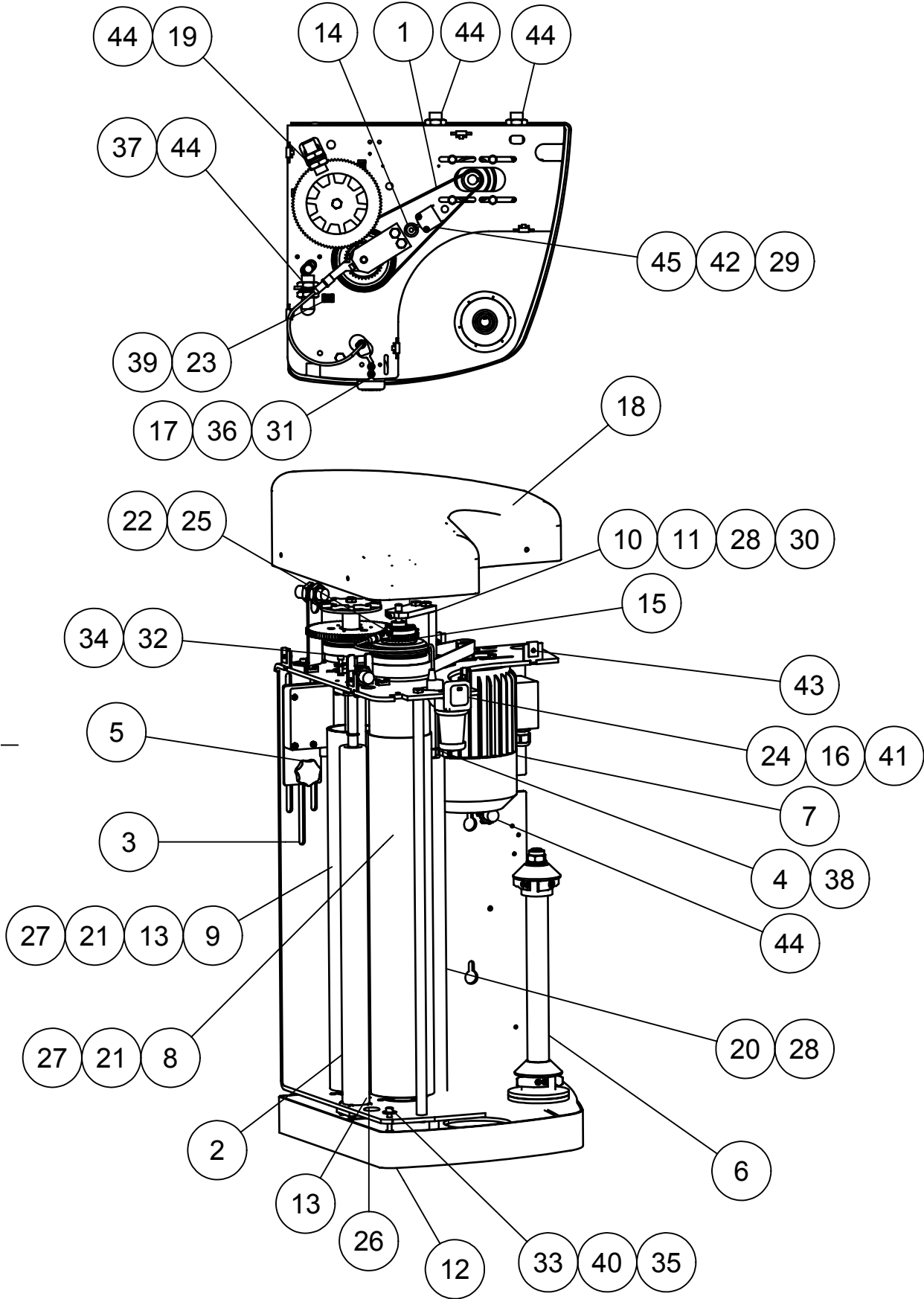
260004 - MAST TRANSMISSION ASSEMBLY



260004 - MAST TRANSMISSION ASSEMBLY

POS	PART NO	REV	DESCRIPTION	QTY	NOTICE
1	301333		SHAFT TOPP	1	
2	320972		BARNUT cc50	4	
3	321045		BARNUT	2	
4	360004		SPROCKET FOR MAST 24z	1	
5	360010		MASTTOP	1	
6	360012		DISTANCE 1 FOR GEAR	1	
7	360013		DISTANCE 2 FOR GEAR	1	
8	360060		DISTANCE 1 FOR TRANSMISSION	1	
9	360061		DISTANCE 2 FOR TRANSMISSION	1	
10	400244		LIFTING EYE BOLT M12	1	
11	400253		FLANGE MOTOR WITH BRAKE	1	
12	400855		WORMGEAR BS50	1	
13	400859		FLANGEBEARING SLFL25-A	2	
14	400860		CAP FOR CHAIN	1	
15	460018		M6S M8x20	16	
16	460028		SCREW M6S M8x100	4	
17	460191		LOCKINGNUT M8	10	
18	460193		LOCKINGNUT M12	1	
19	460201		WASHER BRB 8.4	32	
20	460216		RK 8x7x20	1	
21	460239		SCREW M6S M8x22	4	
22	460254		MSK6SS 6x10	4	
23	460540		WASHER SRKB9x35x3	2	
24	460611		SHAFTKEY	1	

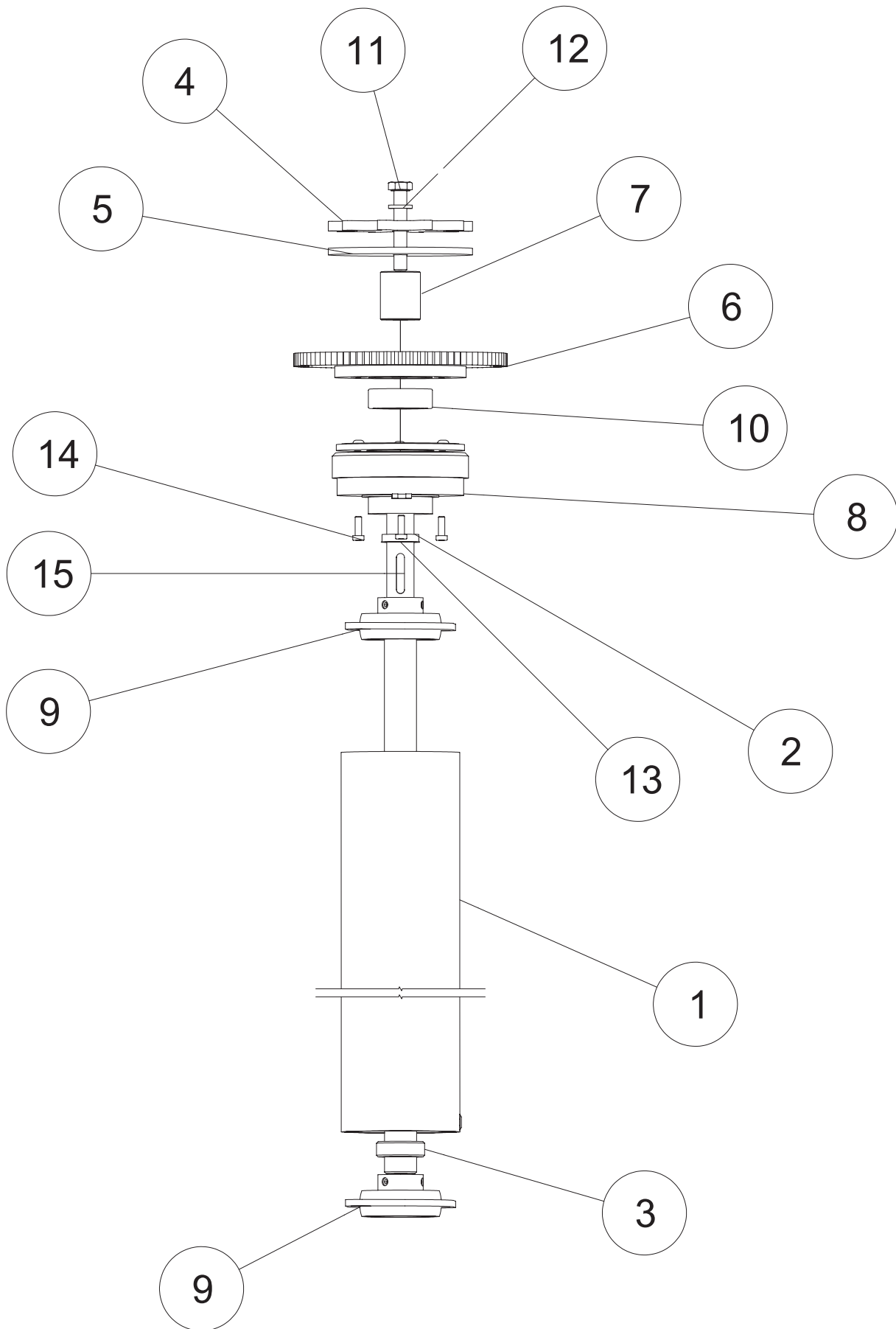
260005 - AGGREGATE ASSEMBLY



260005 - AGGREGATE ASSEMBLY

POS	PART NO	REV	DESCRIPTION	QTY	NOTICE
1	400734		BELT	1	
2	200303		DANCING ROLLER	1	
3	210134		WELD ASSEMBLY STEEL FRAME	1	
4	210135		PROTECTIVE PLATE COMPLETE	1	
5	210223		PHOTOCELL HEIGHT ASSEMBLY	1	
6	210226		BOBBINHOLDER COMPLETE	1	
7	210227		ELECTRICAL MOTOR COMPLETE	1	
8	260006		PRESTRECH ROLLER	1	
9	260009		CLUTCH ROLLER	1	
10	310208		HOLDER PLATE	1	
11	312050		HOLDER PLATE	1	
12	312095		PROTECTION PROFILE	1	
13	312097		DISTANCE SHAFT	2	
14	312164		PLASTIC BEARING	2	
15	360016		GEAR WHEEL	1	
16	360019		END KNOB HANDLE 8-SPEED	1	
17	360026		SHAFT FOR HANDLE 8-SPEED	1	
18	360031		COVER FOR PRESTRECH UNIT	1	
19	360036		SENSOR HOLDER STRECHUNIT	1	
20	400326		TRANSPORT ROLLER	1	
21	400328		BEARING SLFL 20	1	
22	400407		LOCKING RING	1	
23	400497		CLIP FOR CABLE TIE	3	
24	400861		GEAR HANDLE 8-SPEED	1	
25	400865		GEAR LEVER 8-SPEED	1	
26	400872		COVER PLUG	1	
27	460015		SCREW M6S M8x12	6	
28	460017		SCREW M8x16	8	
29	460077		SCREW MC6S - M4 x 25	2	
30	460080		SCREW MC6S 5x12	3	
31	460081		SCREW MC6S 5x16	2	
32	460084		SCREW MC6S M5x30	1	
33	460102		SCREW MC6S - M6 x 40	2	
34	460179		NUT M5	1	
35	460180		NUT M6M M6	2	
36	460199		WASHER BRB 5,3	4	
37	460334		WASHER PS 18x25x1	2	
38	460423		RETANING RING	1	
39	460491		POP RIVERT	3	
40	460541		WASHER NB 7X19X1,5	2	
41	460562		SCREW	1	
42	460589		WASHER BRB 4,3	2	
43	460684		CLIPS M5	5	
44	900074		SENSOR	4	
45	900148		SECURITY SWITCH	1	

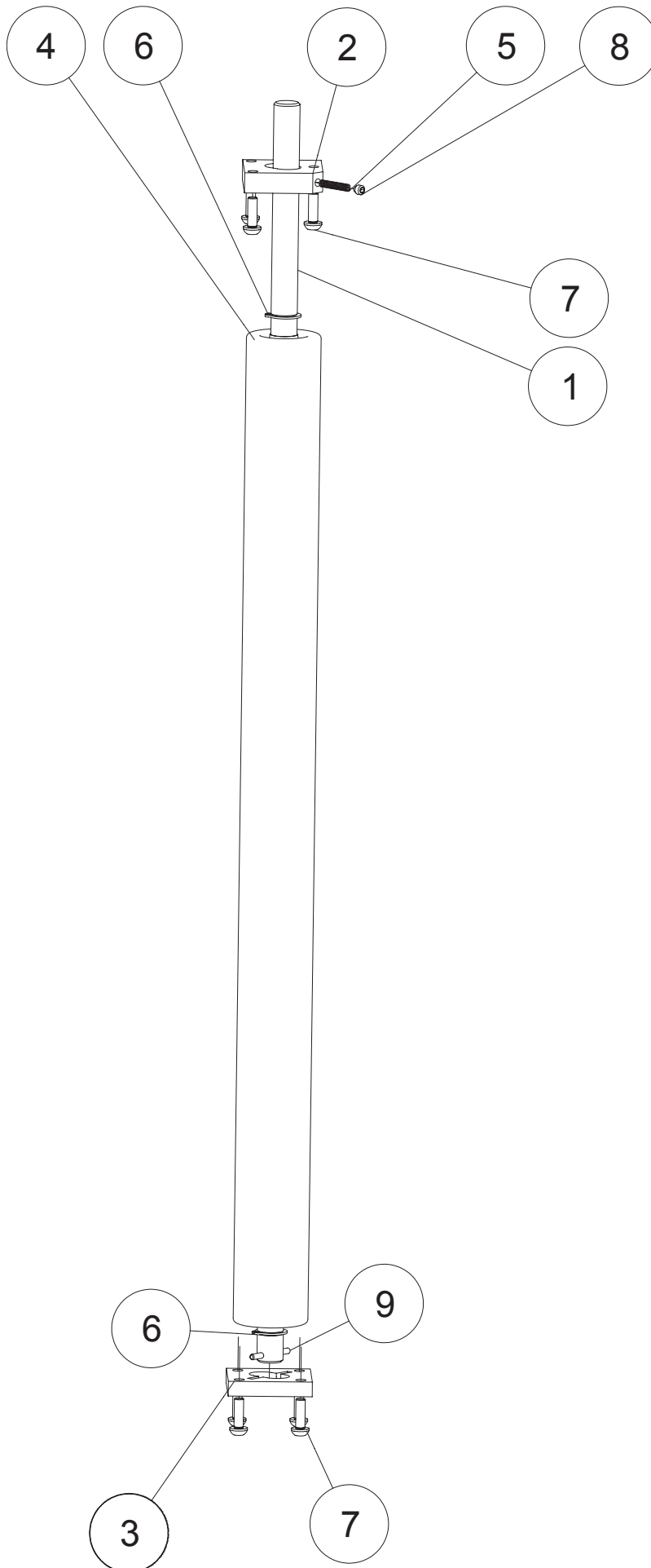
260009 - CLUTCH ROLLER ASSEMBLY



260009 - CLUTCH ROLLER ASSEMBLY

POS	PART NO	REV	DESCRIPTION	QTY	NOTICE
1	260007		CLUTCH ROLLER	1	
2	310106		DISTANCE	1	
3	312415		DISTANCE RING	1	
4	320658		INDICATING PLATE	1	
5	320675		ROUND DISTANCE	1	
6	360017		GEAR WHEEL	1	
7	360035		DISTANCE PRESTRECHUNIT	1	
8	400327		ELECTROMAGNETIC CLUTCH	1	
9	400328		FLANGE BEARING SLFL20-A	2	
10	400329		BEARING	1	
11	460067		M6S M8x50	1	
12	460288		WASHER FBB 8,1	1	
13	460315		WASHER PS-18x24x0,5	1	
14	460552		SCREW ML6S M4x12	3	
15	460609		SHAFT KEY	1	

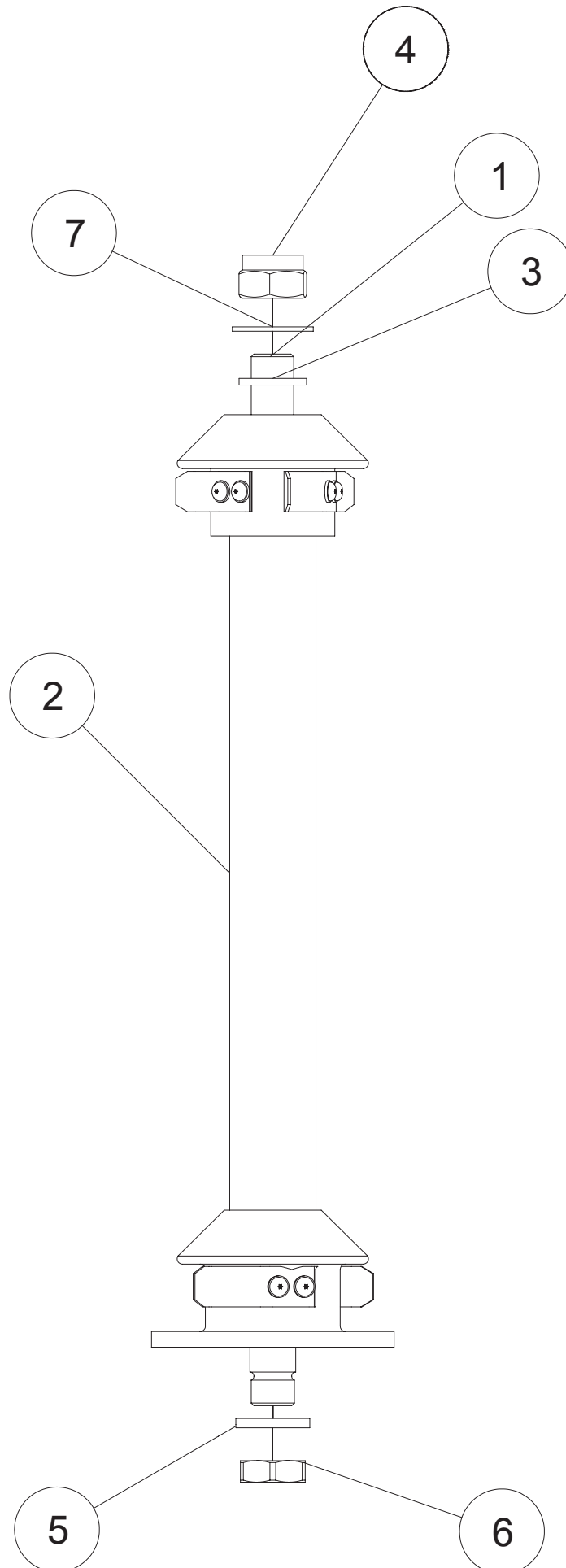
200303 - DANCING ROLLER



200303 - DANCING ROLLER

POS	PART NO	REV	DESCRIPTION	QTY	NOTICE
1	301349		FRAME SHAFT	1	
2	301352		UPPER HOLD	1	
3	301353		LOWER HOLDER	1	
4	400326		TRANSPORT ROLLER	1	
5	400866		SPRING	1	
6	460423		RETANING RING	2	
7	460666		SCREW MRT 16x5	7	
8	460671		SCREW SK6SS - M5 x 5	1	
9	460680		CYLINDRIC PIN CP 3x30	1	

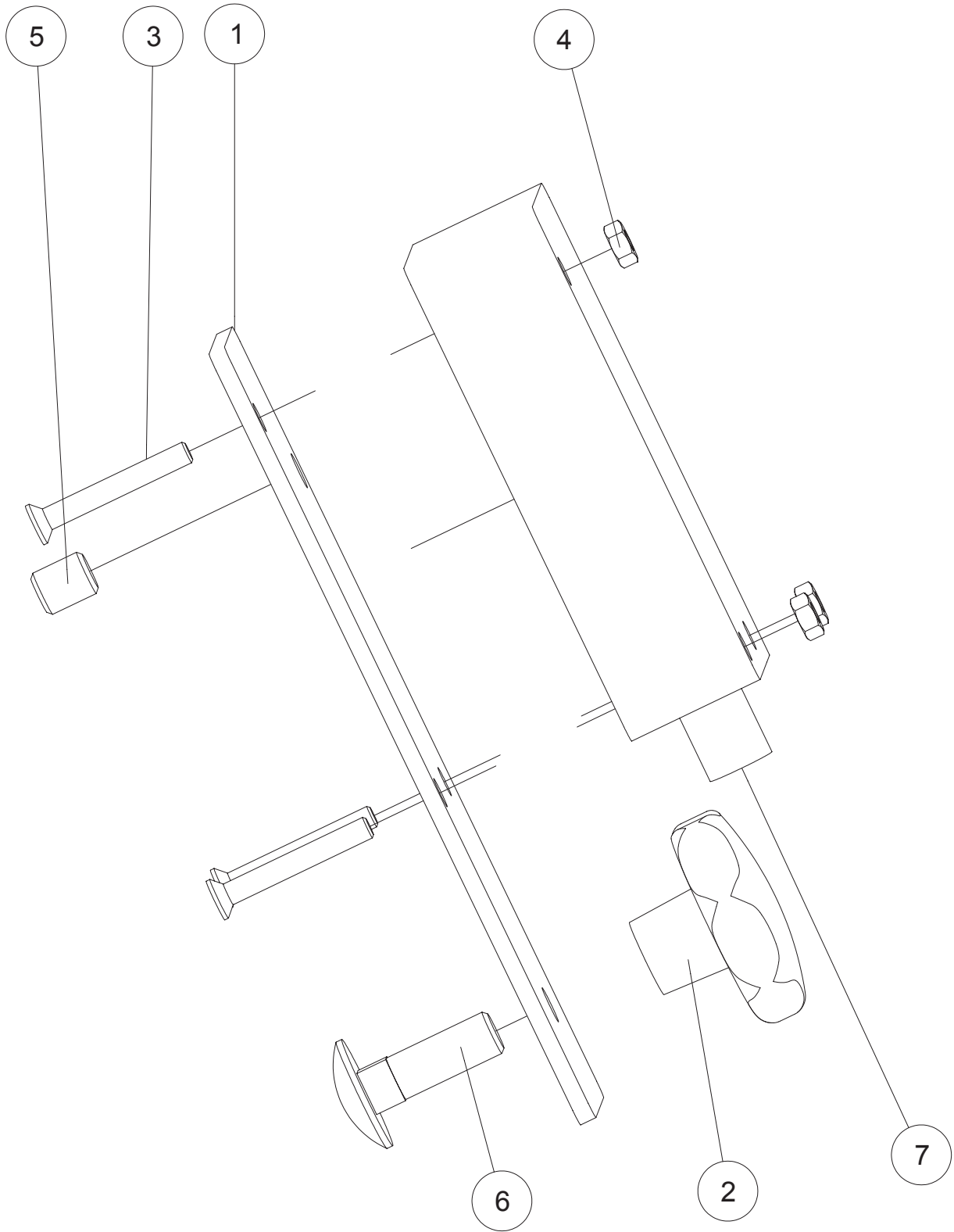
210226 - BOBBINHOLDER COMPLETE



210226 - BOBBINHOLDER COMPLETE

POS	PART NO	REV.	DESCRIPTION	QUANT.	NOTICE
1	210159		BOBBINHOLDER	1	
2	312157		SHAFT FOR FILMROLLER	1	
3	312158		WASHER FOR BOBBIN HOLDER	1	
4	460195		LOCKINGNUT M16	1	
5	460215		NUT ML6 M16	1	
6	460292		WASHER FBB-B A16	1	
7	460573		WASHER KKB16	1	

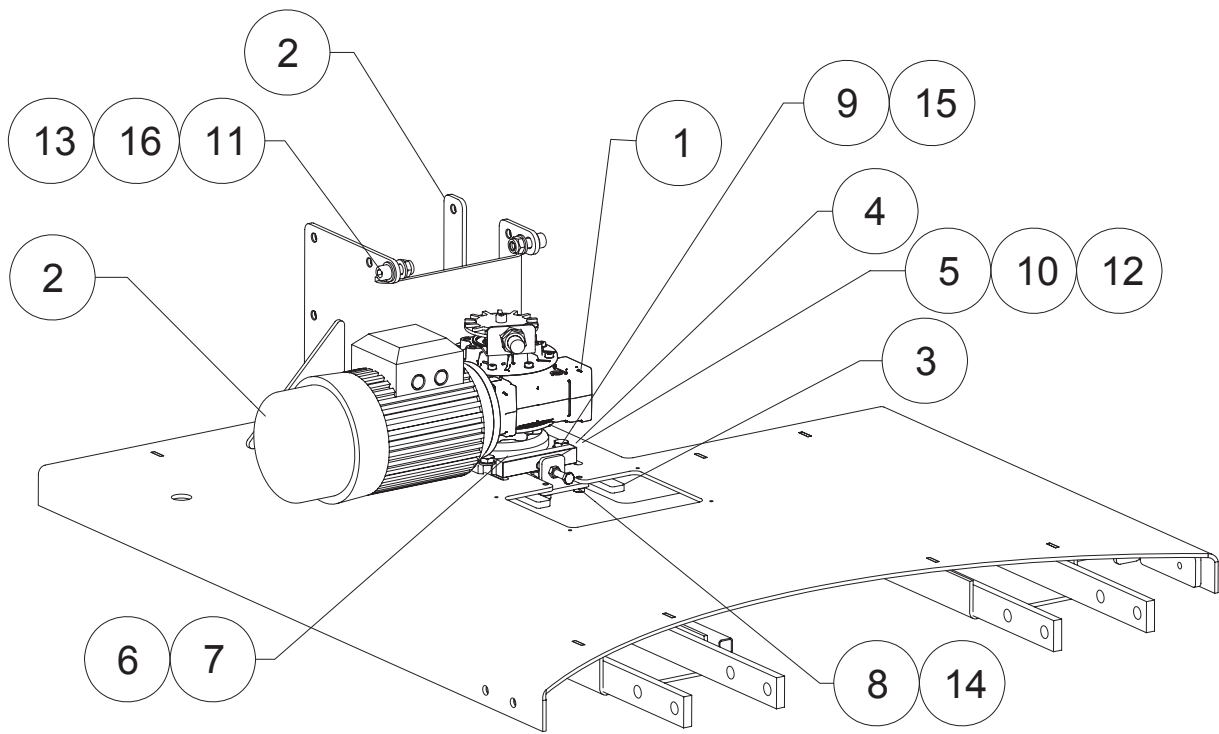
210223 - PHOTOCELL COMPLETE



210223 - PHOTOCELL COMPLETE

POS	PART NO	REV	DESCRIPTION	QTY	NOTICE
1	312352		PHOTOCELLBRACKET	1	
2	400351		KNOB M8	1	
3	460157	8	SCREW MF6S M4x30	3	
4	460182	8	NUT M6M4	3	
5	460543	5	STOPSCREW	1	
6	460549	8	SCREW MVBF 8x25	1	
7	900660		PHOTOCELL	1	

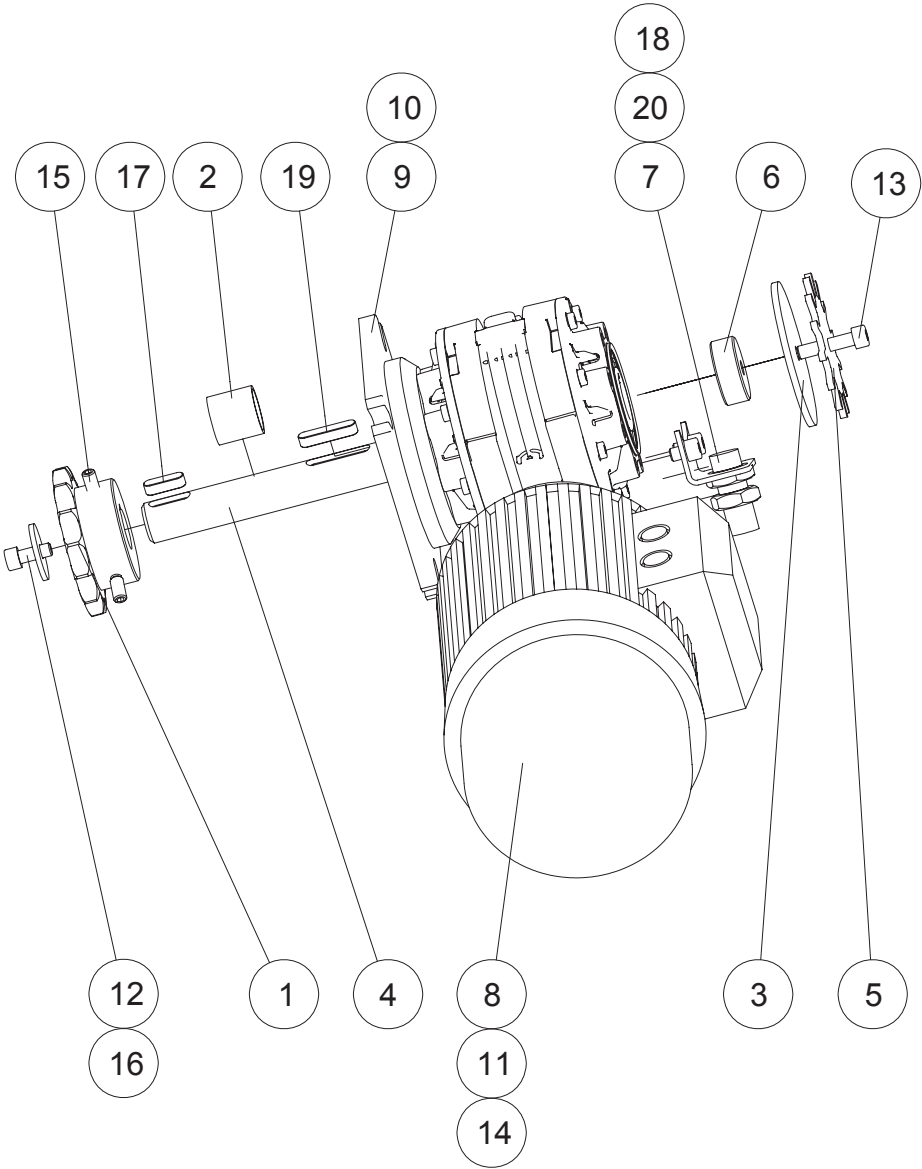
260014 - CHASSIS REAR ASSY.



260014 - CHASSIS REAR ASSY.

POS	PART NO	REV.	DESCRIPTION	QUANT.	NOTICE
1	260008		TRANSMISSION FOR TABLE	1	
2	360002	3	MAST HOLDERPART	1	
3	360006		BARNUT CC110	2	
4	360007		CHAIN TENISION PART	1	
5	360008		BRACKET FOR CHAINTRACTION	1	
6	400741		CLOSING LINK RS12B 3/4"-7/16"	1	
7	400742		CHAIN 3/4"-7/16"	1	
8	460015		SCREW M6S M8x12	2	
9	460030		M6S M10x30	4	
10	460068		SCREW M6S M8x60	1	
11	460133		MC6S M12x30	2	
12	460181		NUT M6M 8	1	
13	460193		LOCKINGNUT M12	2	
14	460201		WASHER BRB 8.4	2	
15	460202	1	WASHER BRB 10.5	4	
16	460203	1	WASHER BRB. 13	4	

260008 - TRANSMISSION FOR TABLE



260008 - TRANSMISSION FOR TABLE

POS	PART NO	REV	DESCRIPTION	QTY	NOTICE
1	312112		SPROCKET 3/4"x7/16" Z=14	1	
2	312178		DISTANCE Ø2000	2	
3	320675		ROUND DISTANCE	1	
4	360009		SHAFT FOR TABLE GEAR	1	
5	360015		INDICATEPLATE	1	
6	360025		DISTANCE	1	
7	360028		SENSOR HOLDER TURNTABLE	1	
8	400253		FLANGE MOTOR WITH BRAKE	1	
9	400775		FLANGE FRS/RS 60 FB	1	
10	400802		WORM GEAR FRS60	1	
11	460007		SCREW M6S M6x20	4	
12	460109		SCREW MC6S 8x20	1	
13	460113		SCREW MC6S M8x35	1	
14	460200		WASHER BRB 6,4	4	
15	460268		STOP SCREW MSK6SS M8x16	2	
16	460540		WASHER SRKB9x35x3	1	
17	460581		SHAFTKEY	1	
18	460625		SCREW MC6S M8x10	2	
19	460656		SHAFT KEY 8X7-36	1	
20	900074		SENSOR	1	

CYKLOP
INTERNATIONAL



CYKLOP AB
STOCKHOLM
Box 3053
127 03 SKÅRHOLMEN
SWEDEN
Tel: +46 8 503 05 300
Fax: +46 8 503 05 390
E-mail: info@cyklop.se